

Vacsafe

HEPA VACUUM CLEANER

INSTRUCTION MANUAL

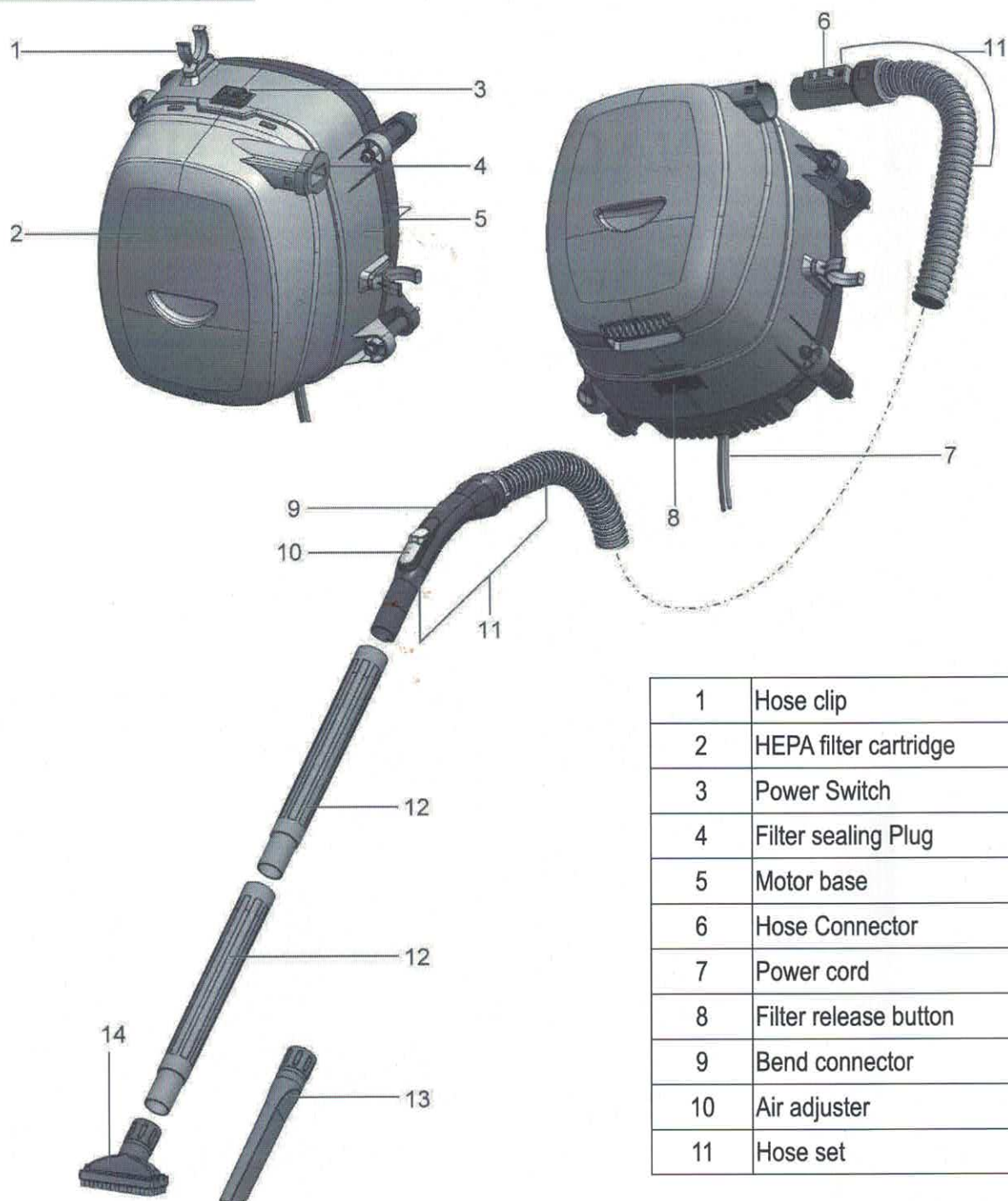
MODEL NO: TV4

PLEASE READ THE INSTRUCTION MANUAL BEFORE OPERATION



CE

PART NAMES

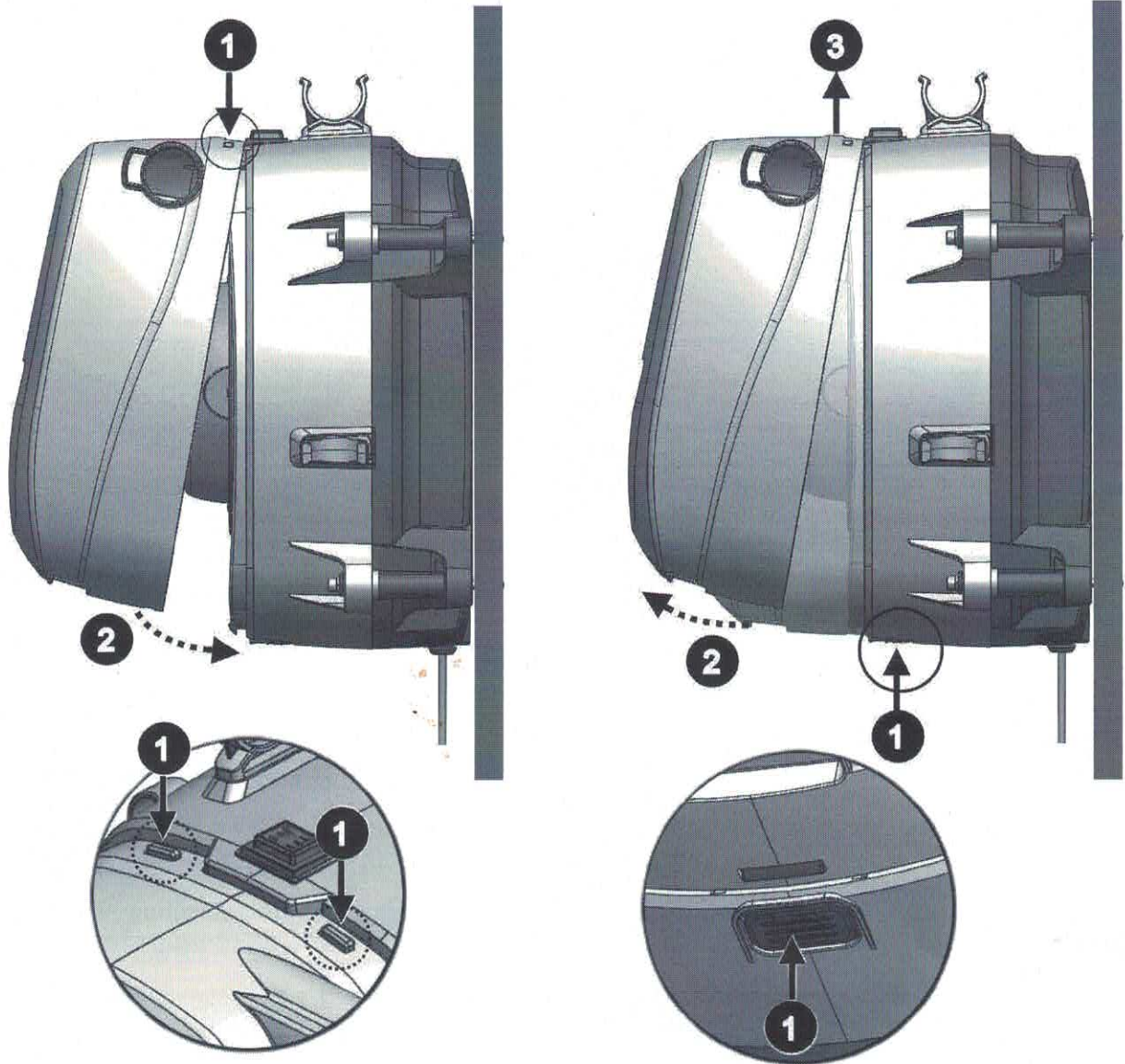


1	Hose clip
2	HEPA filter cartridge
3	Power Switch
4	Filter sealing Plug
5	Motor base
6	Hose Connector
7	Power cord
8	Filter release button
9	Bend connector
10	Air adjuster
11	Hose set

Accessories:

No.	Description	Q'ty
11	Hose set	1
12	Extension pipe	2
13	Crevice tool	1
14	Upholstery nozzle	1

How to install the HEPA filter cartridge:



Installation of HEPA filter cartridge:

1. Please align the two holes in the HEPA filter cartridge with the two tabs on the motor body gently press into place.
2. Allow filter to hinge on these two tabs.
3. Press the filter down & in until the spring-loaded button clips into place (as above 2).

Removal of HEPA filter cartridge:

1. Remove hose & install filter sealing plug (Item 4 New one supplied with new filter).
2. Push filter release button to release the filter cartridge. (as above 1).
3. Then filter cartridge will spring back from the motor body (as above 2).
4. Lift filter gently up and off the two top tabs (as above 3).
5. Install new HEPA filter

How to assemble or modify the accessories:

Hose installation and release:



Release



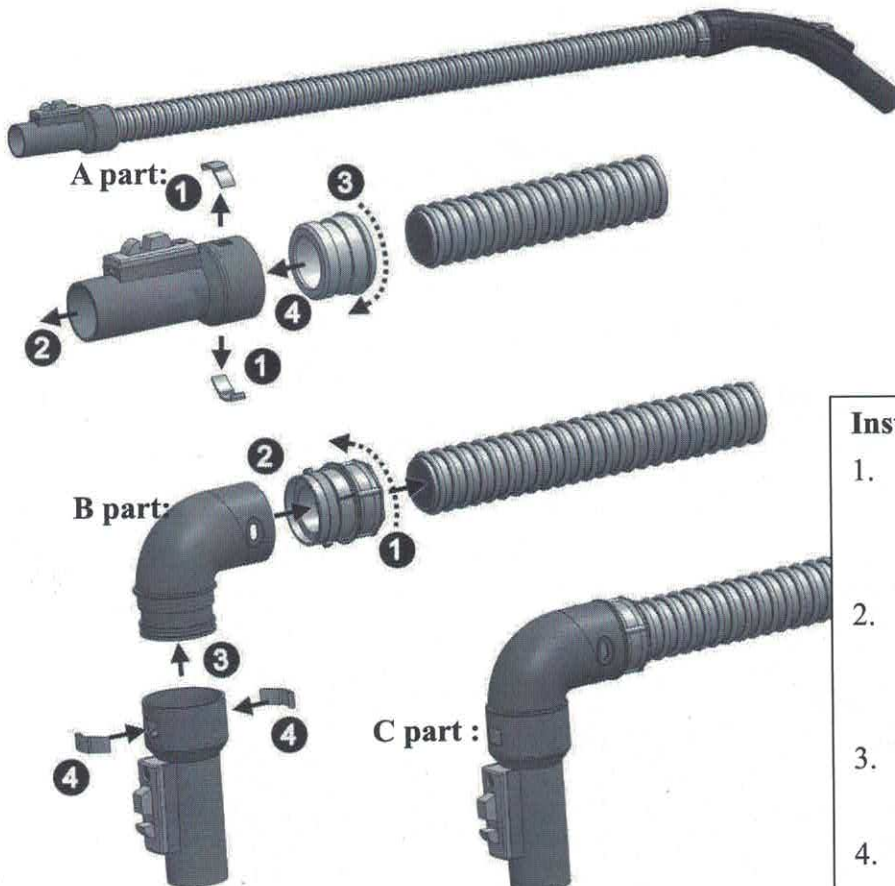
[Installation]

Remove filter cartridge sealing plug and connect hose into suction hole. - * Save the plug

[Release]

Press button down of connector to release hose.

How to change connector of hose:



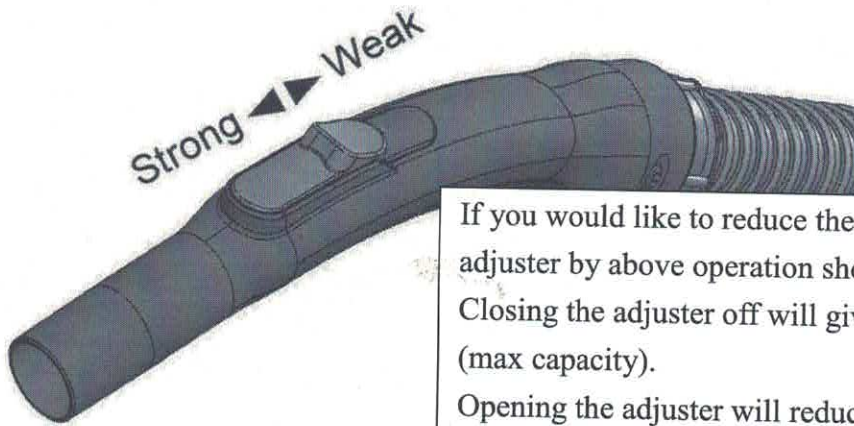
Disconnection (as A part):

1. Take a small flat screwdriver and insert into the round hole of connecting piece (item 1) then flick out.
2. Remove connector (as 2).
3. Then turn counter-clockwise direction to remove out inner connector (as 4).

Installation of 90 Deg elbow (as B part):

1. Rotate inner connector into the hose until tight (item 1) turning in a clockwise direction.
2. Align the two holes in the 90 deg elbow with the two bumps, then press into the joint (as 2).
3. Then inset hose connector into 90 deg elbow (as 3).
4. Insert hose connector into 90 deg elbow, then slide connecting pieces on both sides of hose connector to complete hose assembly job (as C part).

Air adjuster function:





If you would like to reduce the air, you can alter the air adjuster by above operation showing.

Closing the adjuster off will give you full air (max capacity).

Opening the adjuster will reduce the capacity.

Purposes of nozzles:

Upholstery nozzle	Crevice tool
Purpose: for small area, such as a sofa, window, bed etc. 	Purposes: for window, narrow groove, corner etc. 

Specification:

Voltage/Frequency	DC 24~28V
Amperage	Max 24 Amps (soft start)
Wattage of vacuum cleaner	650~730 W
Suction power	200W
Power cord length	35 cm
Tank capacity	6.2 L
Weight	6 KGS

Warning:

1. To avoid electric shock, DO NOT immerse or wash the cleaner in water or expose it to rain.
2. DO NOT tilt or drop the cleaner.
3. DO NOT use on hot embers.
4. Leave servicing to qualified technicians only.
5. Do not attempt to clean the filter.

Caution :

1. Please stop operation the cleaner immediately whenever you hear a noise and deliver the

unit to an authorized service center.

2. When capacity slows down or fails to suck, stop operation immediately.

1. Check the nozzle, flexible hose, extension pipes if they are jammed or need cleaning.
2. If clear, then replace the filter cartridge
3. Please Note HEPA filters cannot be cleaned install sealing plug & dispose of safely.

- This unit is dedicated to cleaning, to avoid improper use of security or for other purposes.
- If the cord gets broken or damage, it should replace the damaged cord immediately.
- Do not connect any extension cord does not match the specifications, please note that wire size and load range of the socket.

Installation of vacuum cleaner:

