

Vacsafe

HEPA VACUUM CLEANER

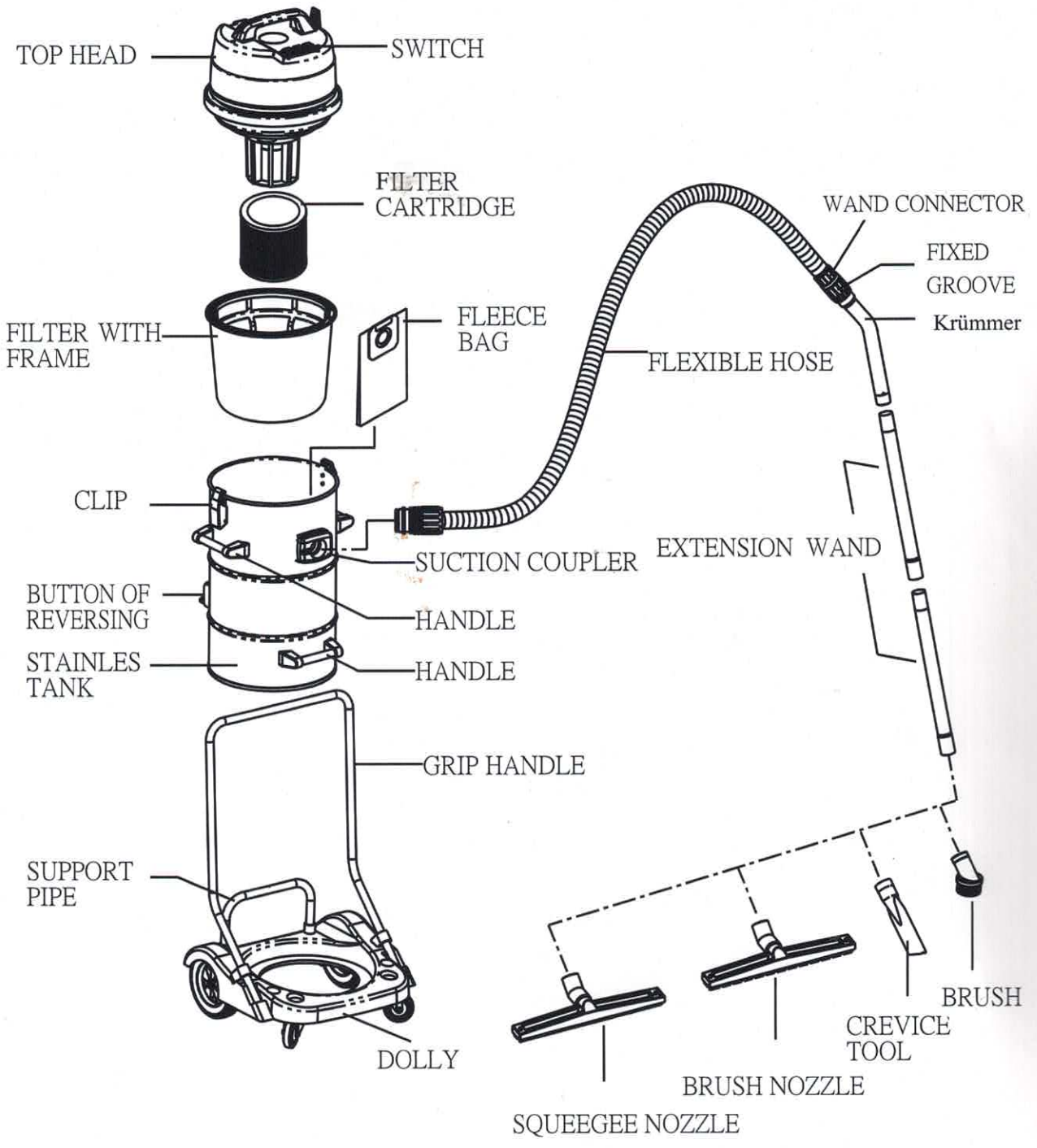
INDUSTRIAL WET/DRY VACUUM CLEANER

INSTRUCTION MANUAL
TV2407710

" PLEASE READ THE INSTRUCTION MANUAL BEFORE OPERATION "



1. PARTS NAME:



2. APPLICATION:

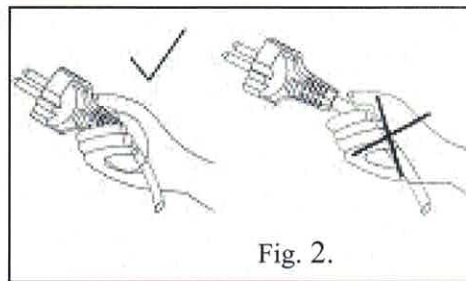
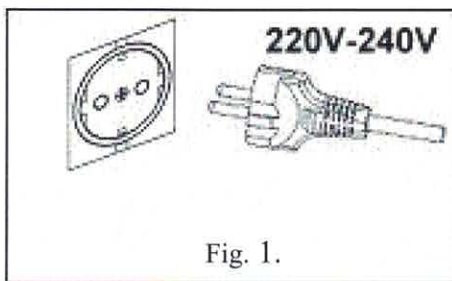
There are 3 motors inside of the vacuum cleaner. With high power, powerful suction and minimum noise, it is widely applied in shops; airports; exhibition halls; conference rooms and various public occasions. Controlled respectively by two switches, the two motors can be operated simultaneously or separately. That brings a great convenience to the user who can choose to start any number of motors so suit the occasion. The product is reasonably designed to save energy for household applications.

3. SPECIFICATION:

Model No. : **TV2407710**
Voltage : **220V-240V 50/60 Hz**
Power: **3600 W**
Stainless tank capacity : **77 L**

4. CAUTION:

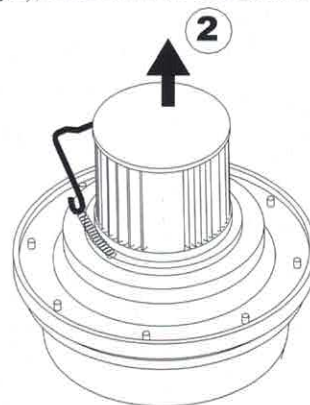
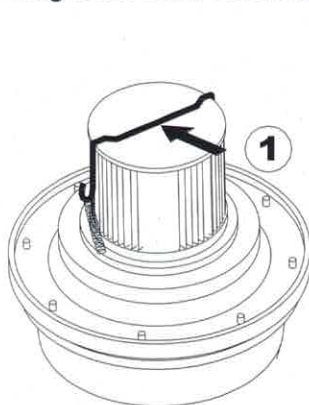
- 1). The voltage of the your power supply must be consistent with that specified in the instructions (as fig.1)
- 2). After each use, hold the power plug and pull it out from the power socket. Do not use force on the cord (as fig. 2)



5. HOW TO REMOVE THE FILTER CARTRIDGE:

Note: filter cartridge also for wet use, please keep this filter cartridge for wet and dry operation.

Push metal clip according to the arrow direction (as fig.3), then remove the filter cartridge (as fig.4)



6. HOW TO USE THE ACCESSORIES:

1) Connection of suction coupler & hose

To use, insert the hose to the suction coupler tightly. To pull out, push the knob outward and pull out the hose. (as fig.5)

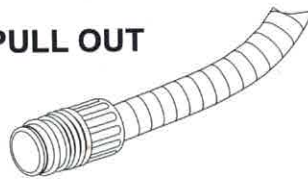
2) Extension wand and nozzles

Insert the smaller end of an extension wand into the larger end of the other wand (as fig.6)

Note: filter cartridge also for wet use, please keep this filter cartridge for wet and dry operation.



PULL OUT



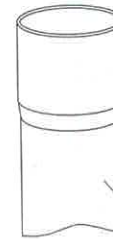
INSERT

INSERT



EXENSION WAND

DISCONNECT



TO CONNECT ANY ACCESSORY

Fig. 5.

Fig. 6.

3) REPLACEMENT OF BRUSH & BLADE :

1. Rotate the holder by 90 degrees with clockwise direction ;
2. Pull out brush strip or rubber blade for replacement or cleaning. ;
3. Complete releasing brush strip and rubber blade. (fig. 7)

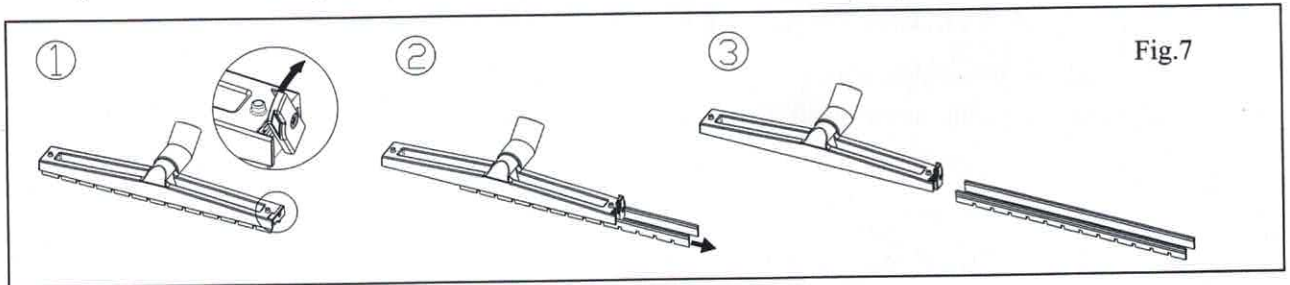
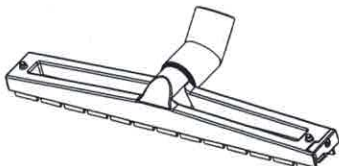
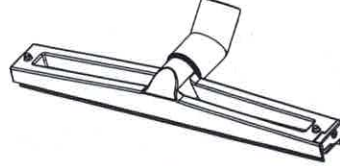

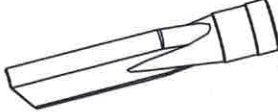


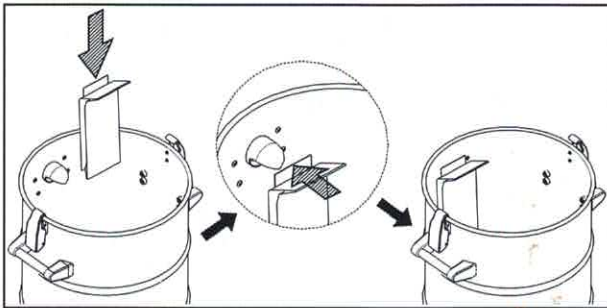
Fig.7

BRUSH NOZZLE	SQUEEGEE NOZZLE
<p>It is applicable for cleaning floors and carpets.</p> 	<p>It is applicable for vacuuming water on the floor.</p> 

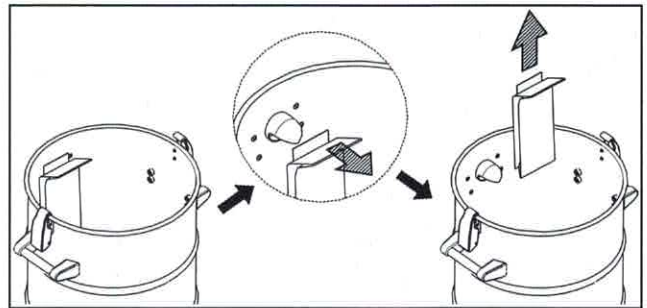
ROUND BRUSH	CREVICE TOOL
<p>It is applicable for table tops ; thresholds ; window ; curtains and air conditioner brackets.</p> 	<p>It is applicable for corners and narrow areas.</p> 

4) HOW TO ASSEMBLE AND DISASSEMBLE FLEECE BAG :

ASSEMBLY : insert fleece bag into the suction coupler (as below showing)

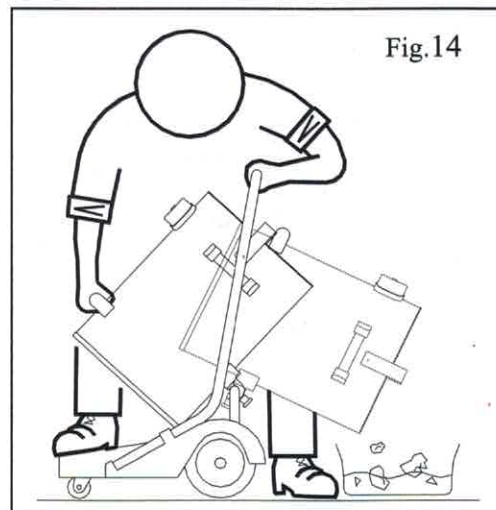
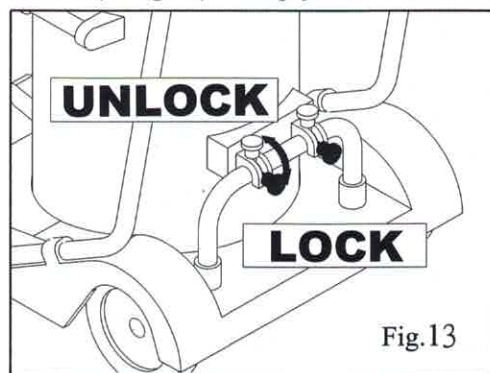
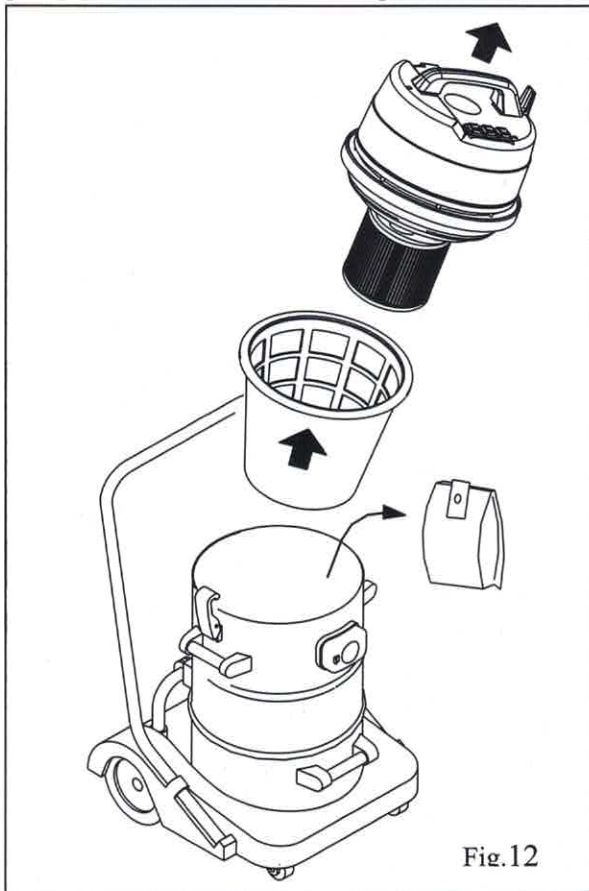


DISASSEMBLY : Remove fleece bag from suction coupler(as below showing).



7. HOW TO EMPTY THE TANK

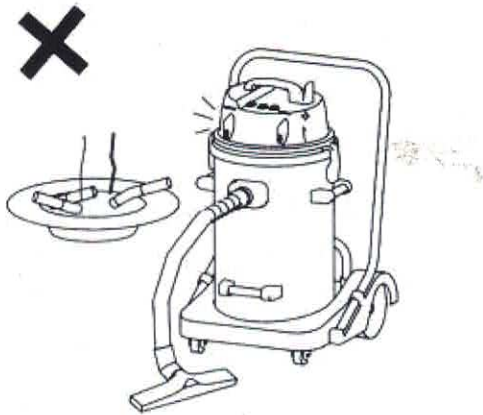
When the tank is full, use the overturning mechanism to empty the tank. First, remove the top head, take out the filter with frame (as fig.12), then unlock the knob (as fig.13) and step foot on the trolley whilst holding the grip handle with one hand and lifting the handle with the other hand (as fig.14) to empty tank.



Warning

Do not vacuum hot ash.

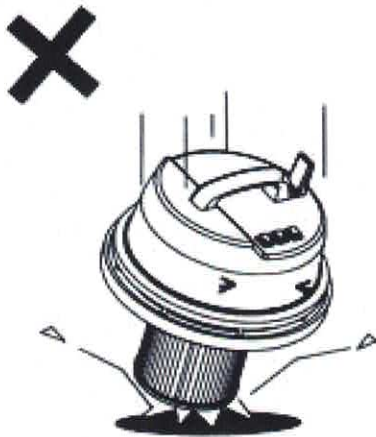
Extinguish heat before cleaning a grate of grid.



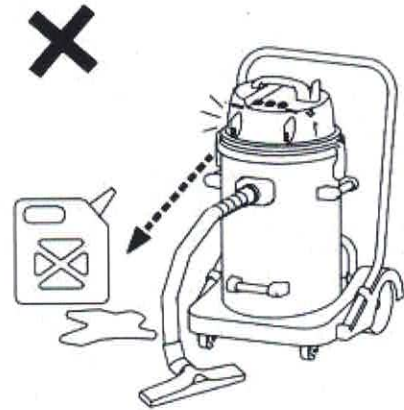
Do not immerse appliances in water or expose it to rain.



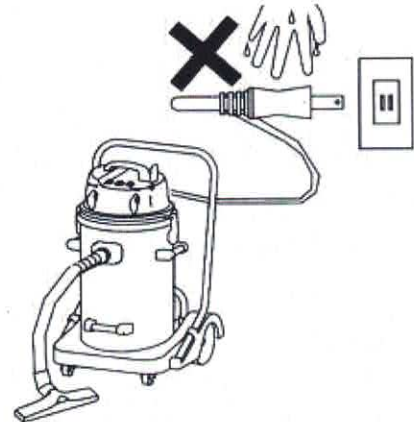
Do not stand top head in inclination position.



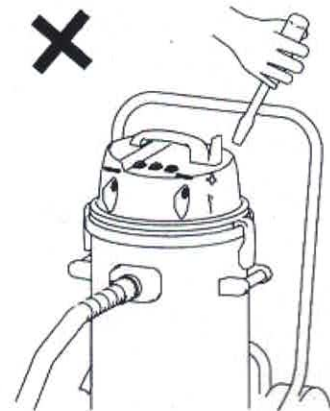
Do not vacuum inflammable or Combustible substances.



When disconnecting the power cable, do not pull on the cable only, hold the plug to disconnect by hand.



Leave servicing to qualified technicians only.



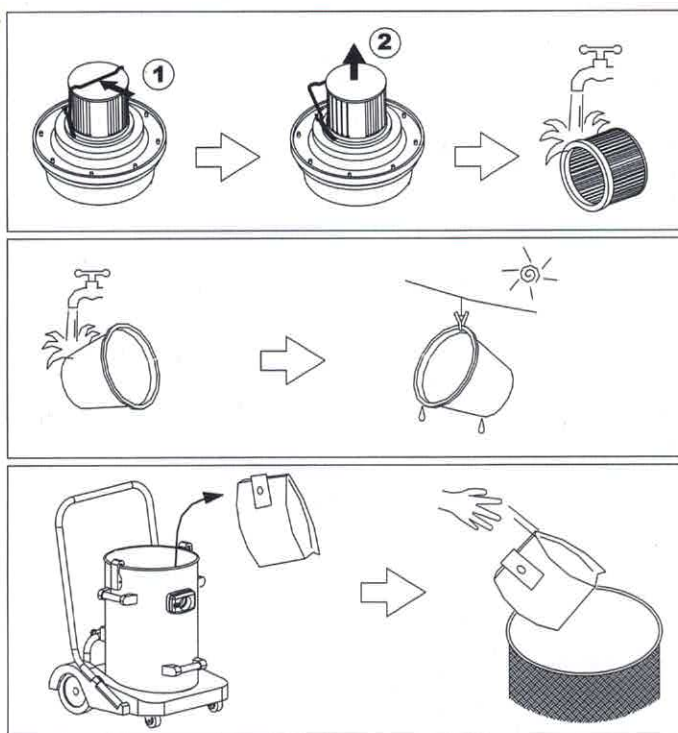
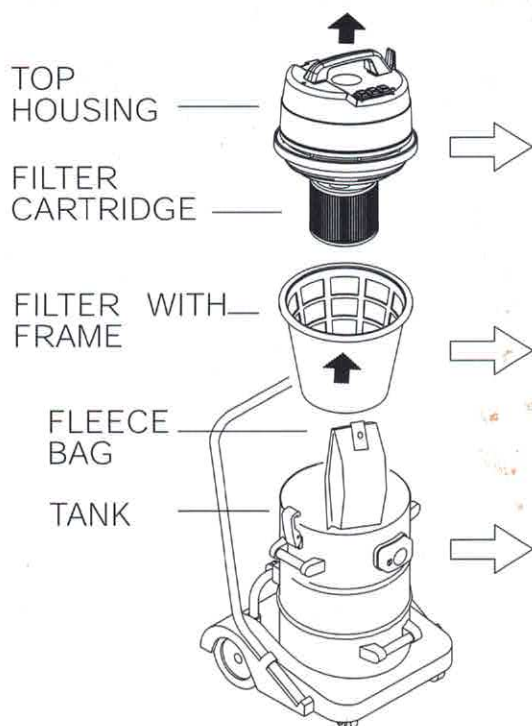
8. MAINTENANCE AND SERVICING:

To dismantle, unclip both latches and remove top housing and Filter with frame.

Wash filter cartridge and fabric filter with clean water after operation.

When fleece bag is full, please remove it out, then insert a new bag for next use.

P.S. fleece bag is for dry use, such as for collecting dust ; powder etc., please note.



Replace the filter and top housing and fasten latches.

REFER TO WATER LEVER SAFETY DEVICE

When the water level in the tank exceeds the safety level, the safety device will automatically block the inlet and motor turning sound will be changed, but power will remain ON, please switch off the power before pouring out the water in the tank.

REFER TO THE ACTION SOUND

This cleaner is designed with a powerful suction. Do not be alarmed if the motor noise increases when performing tougher cleaning work.

